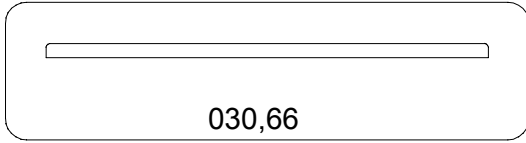
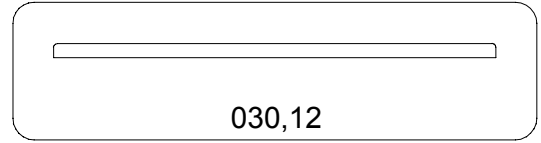


VERSIONE: 003
DEL: 2002-05-08

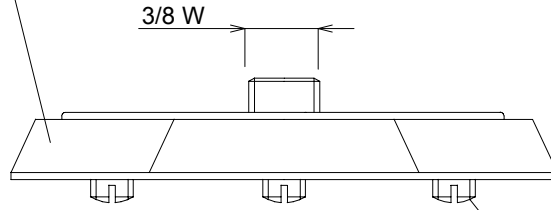


030,66
RUBBER PAD

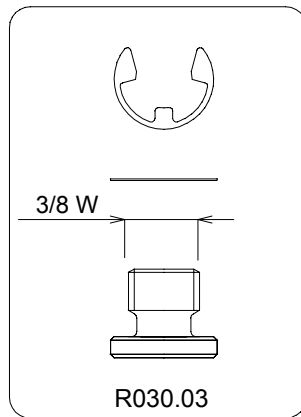


030,12
CORK PAD
FOR OLD VERSION ONLY

E130.501Z



3.0020



R030.03